

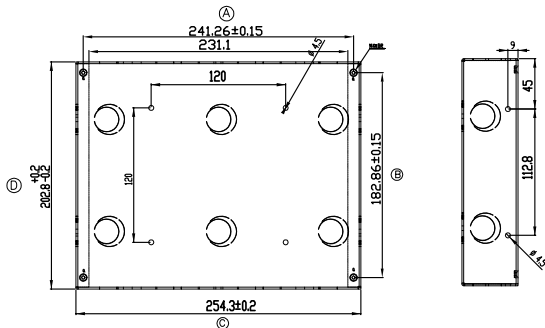
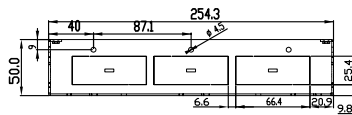
In-Wall Cage

Electrical Knockouts of Wall Cage

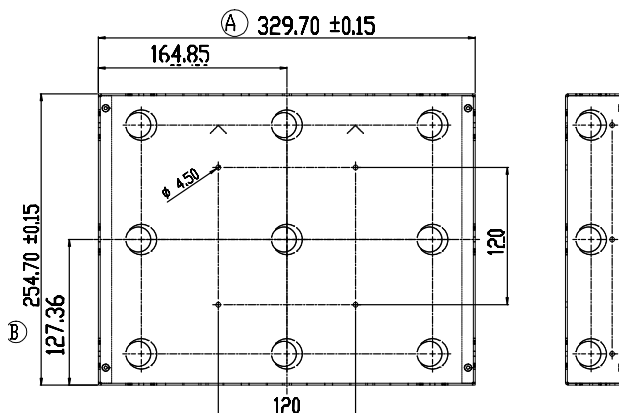
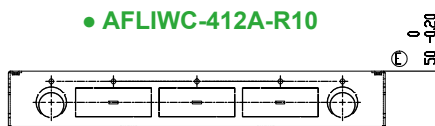
Remove appropriate electrical conduit knockouts prior to installation of the cage.



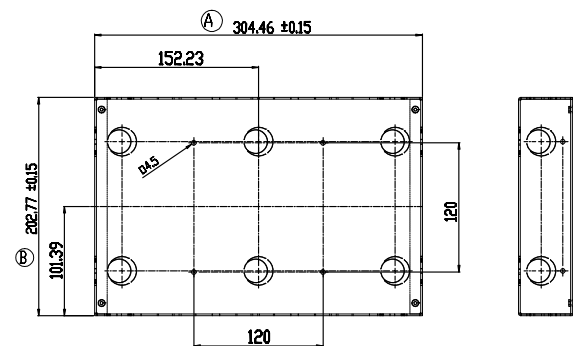
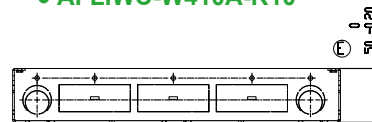
• AFLIWC-408A/B-R10



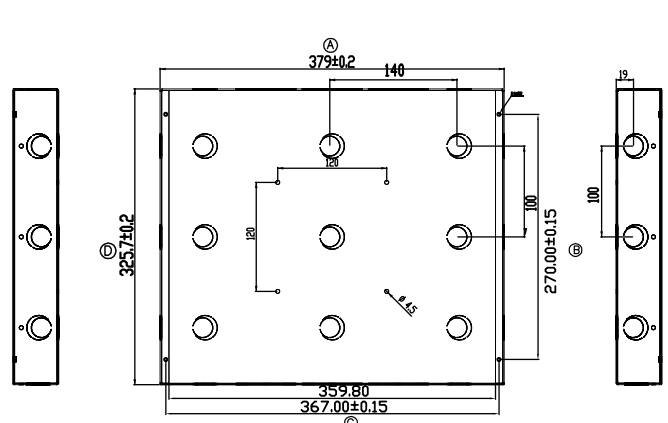
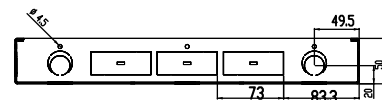
• AFLIWC-412A-R10



• AFLIWC-W410A-R10

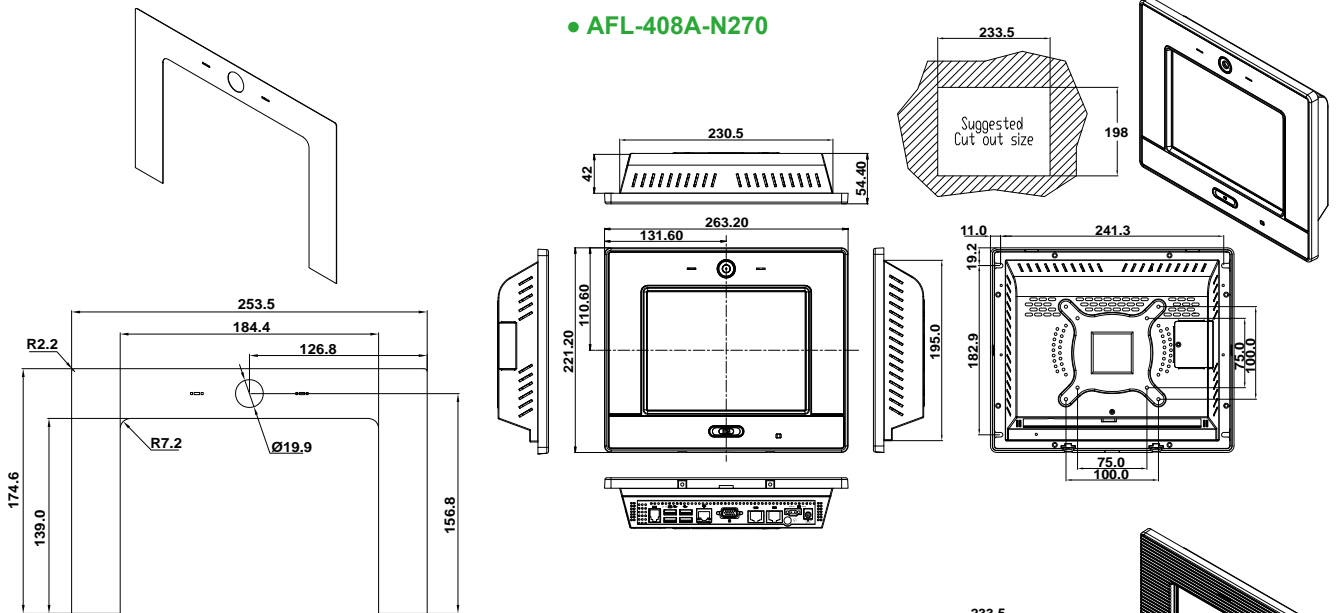


• AFLIWC-415A-R10

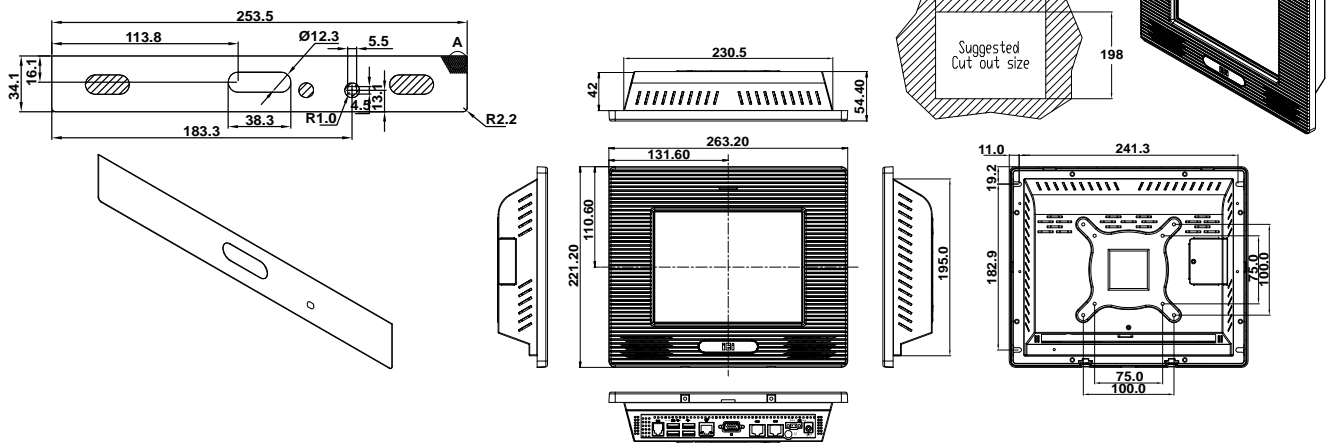


Dimensions

• AFL-408A-N270



• AFL-408B-N270



• AFL-W410A-N270

