



CoreSolid Storage

A TDK-PQI Storage Business



CoreSolid Storage Corporation is a joint venture between Power Quotient International Co., Ltd.(PQI) and TDK Corporation (TDK) in Taiwan to research, develop and market solid state disk .

Product Line

DiskOnModule (DOM), Solid State Disk (SSD), Industrial CF Card, has been well established as an industry standard. Its shock resistant and vibration-proof qualities makes it suited to the rough industrial environment in comparison to traditional hard drives. Compatible with standard IDE interface, it can be used on IPC, thin client, POS system, GPS, Set-top-box and many more.

Turbo Series



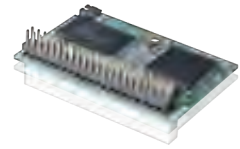
Turbo DOM 019
40 Pin IDE
32MB ~ 4GB
Read : Up to 15MB/sec
Write : Up to 12MB/sec



Turbo DOM 419
44 Pin IDE
32MB ~ 4GB
Read : Up to 15MB/sec
Write : Up to 12MB/sec



Turbo DOM 030
40 Pin IDE
32MB ~ 8GB
Read : Up to 15MB/sec
Write : Up to 12MB/sec



Turbo DOM 432
44 Pin IDE
32MB ~ 6GB
Read : Up to 15MB/sec
Write : Up to 13MB/sec



Left Side

Turbo SATA DOM
10 Pin SATA 1.0
32MB ~ 4GB
Read : Up to 15MB/sec
Write : Up to 12MB/sec

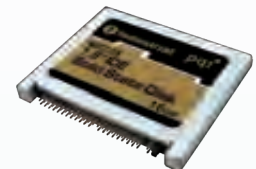


Right Side

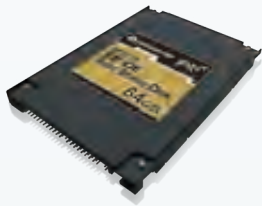
Turbo SATA DOM
10 Pin SATA 1.0
32MB ~ 4GB
Read : Up to 15MB/sec
Write : Up to 12MB/sec



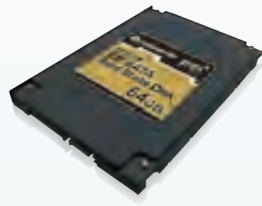
Turbo Industrial CF Card
50 Pin SMT
32MB ~ 8GB
Read : Up to 12MB/sec
Write : Up to 10MB/sec



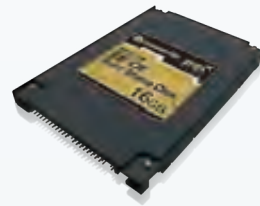
Turbo 1.8" IDE SSD
44 Pin IDE
64MB ~ 16GB
Read : Up to 15MB/sec
Write : Up to 12MB/sec



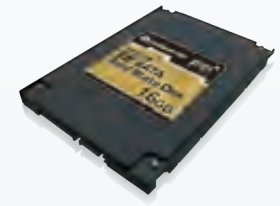
Turbo Plus 2.5" IDE SSD
44 Pin IDE
4GB ~ 64GB
Read : Up to 25MB/sec
Write : Up to 18MB/sec



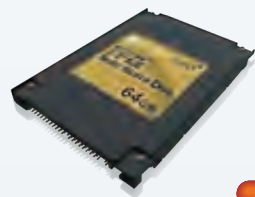
Turbo Plus 2.5" SATA SSD
SATA 1.0
4GB ~ 64GB
Read : Up to 25MB/sec
Write : Up to 18MB/sec



Turbo 2.5" IDE SSD
44 Pin IDE
64MB ~ 16GB
Read : Up to 15MB/sec
Write : Up to 13MB/sec

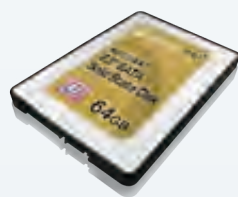


Turbo 2.5" SATA SSD
SATA 1.0
64MB ~ 16GB
Read : Up to 15MB/sec
Write : Up to 12MB/sec



New

Turbo II Plus 2.5" IDE SSD
44 Pin IDE
8GB ~ 64GB
Read : Up to 67MB/sec
Write : Up to 45MB/sec



New

Turbo II Plus 2.5" SATA SSD
SATA 1.0
8GB ~ 64GB
Read : Up to 67MB/sec
Write : Up to 45MB/sec



Turbo USB SSD
10 Pin USB
64MB ~ 4GB
Read : Up to 16MB/sec
Write : Up to 8MB/sec
Support Windows Vista
ReadyBoost



Turbo Horizontal USB SSD
10 Pin USB
64MB ~ 4GB
Read : Up to 16MB/sec
Write : Up to 8MB/sec
Support Windows Vista
ReadyBoost

- Embedded system
- High reliability
- Low power consumption

Temperature

Industrial :
 Operating 0° ~ +70°
 Wide Temperature :
 Operating -40° ~ +85°



Standard II Series



Standard II DOM 019
 40 Pin IDE
 128MB ~ 4GB
 Read : Up to 20MB/sec
 Write : Up to 10MB/sec



Standard II DOM 419
 44 Pin IDE
 128MB ~ 4GB
 Read : Up to 20MB/sec
 Write : Up to 10MB/sec



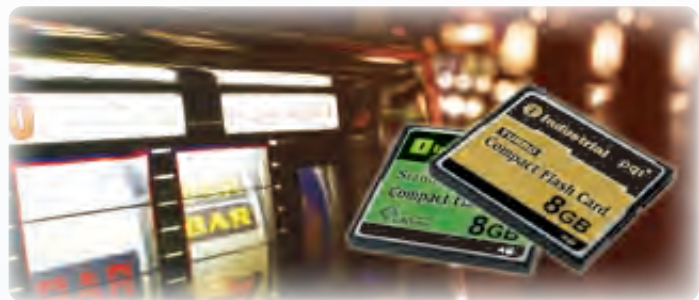
Standard II DOM 030
 40 Pin IDE
 128MB ~ 8GB
 Read : Up to 20MB/sec
 Write : Up to 10MB/sec



Standard II DOM 432
 44 Pin IDE
 128MB ~ 4GB
 Read : Up to 20MB/sec
 Write : Up to 10MB/sec



Standard II Industrial CF Card
 50 Pin SMT
 128MB ~ 8GB
 Read : Up to 20MB/sec
 Write : Up to 10MB/sec



Hi-Speed Series



Hi-Speed DOM 019
 40 Pin IDE
 32MB ~ 6GB
 Read : Up to 7MB/sec
 Write : Up to 5MB/sec



Hi-Speed DOM 419
 44 Pin IDE
 32MB ~ 4GB
 Read : Up to 7MB/sec
 Write : Up to 5MB/sec



Hi-Speed DOM 030
 40 Pin IDE
 32MB ~ 8GB
 Read : Up to 7MB/sec
 Write : Up to 5MB/sec



Hi-Speed DOM 432
 44 Pin IDE
 32MB ~ 6GB
 Read : Up to 7MB/sec
 Write : Up to 5MB/sec



Hi-Speed Industrial CF Card
 50 Pin SMT
 32MB ~ 8GB
 Read : Up to 8.9MB/sec
 Write : Up to 7.3MB/sec



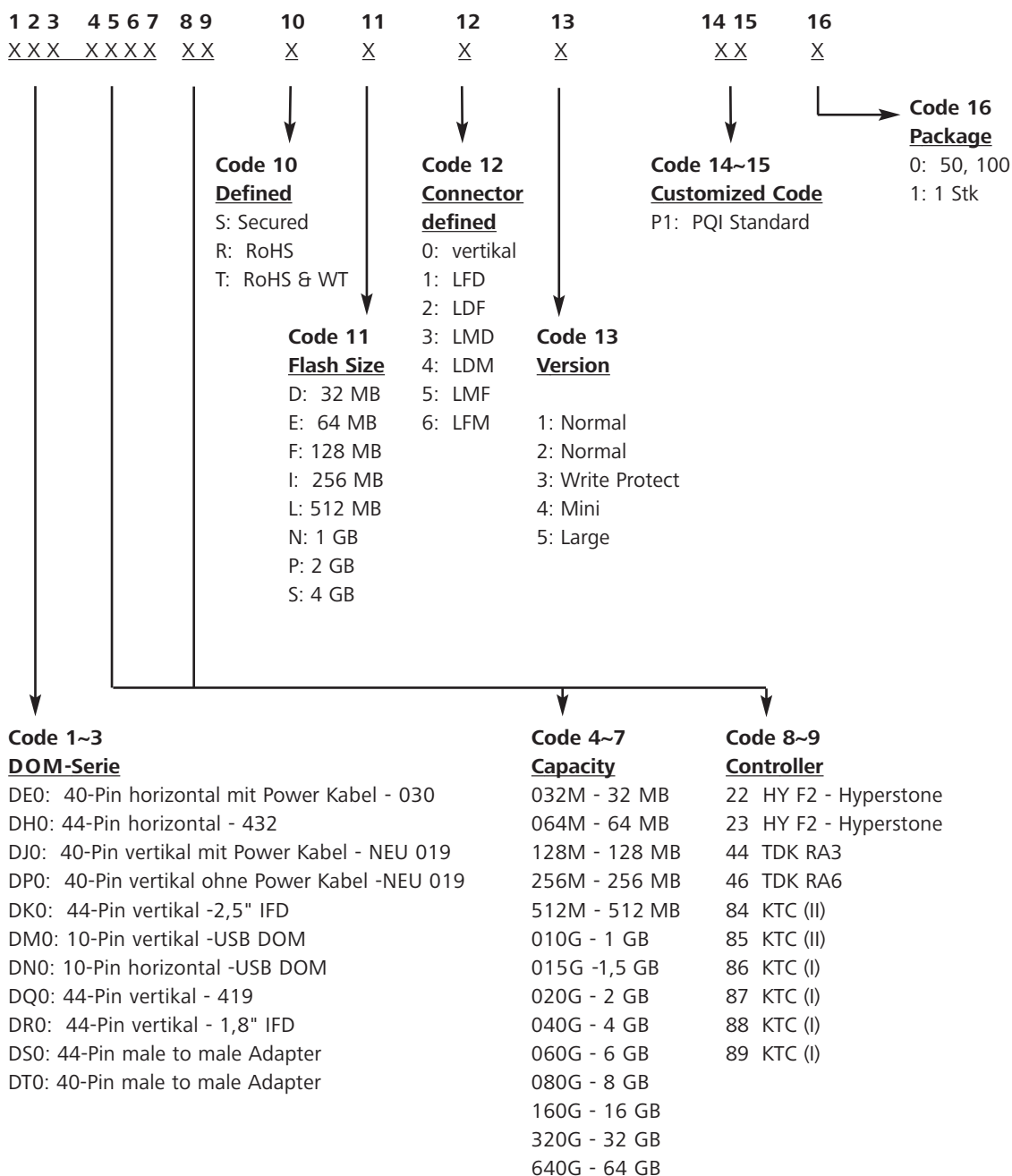
Hi-Speed 2.5" IDE SSD
 44 Pin IDE
 64MB ~ 8GB
 Read : Up to 7MB/sec
 Write : Up to 5MB/sec



Hi-Speed II 1.8" ZIF SSD
 40 Pin ZIF
 4GB ~ 32GB
 Read : Up to 40MB/sec
 Write : Up to 25MB/sec

New

Beschreibung Code DOM Module



Beschreibung Code CF Karten

1 2 3 4 X X X X	5 -	6 7 8 9 X X X X	10 R(-)	11 12 13 14 X X X X
↓		↓		↓
Code 1~4 ICF-Serie		Code 6~9 Capacity		Code 11~14 Single Flash
AC46: Hi Speed		0320 - 32 MB		0441
AC65: Hi Speed WT		0640 - 64 MB		0442
AC60: Turbo		1280 - 128 MB		0443
AC73: TDK RA6		2560 - 256 MB		0444
AC75: SSS		5120 - 512 MB		
		1030 - 1 GB		Dual Flash (AC75)
		2030 - 2 GB		044A
		4030 - 4 GB		044B
		8030 - 8 GB		044C
				044D

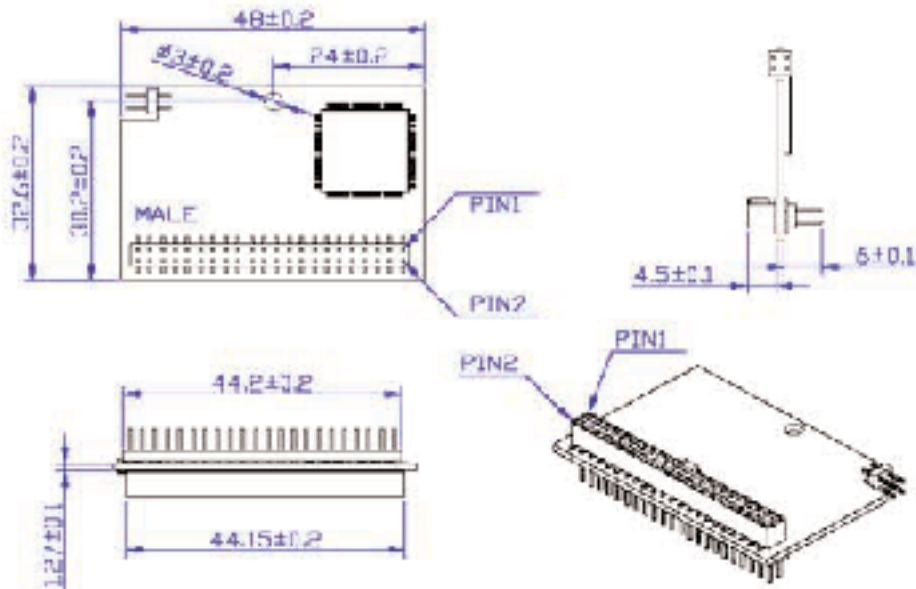
Datentransfer Geschwindigkeit

Transfer Mode	Cycle Time (nanoseconds)	Max. Speed of Data Transfer	Standard
PIO Mode 0	600 ns	3.33 MB/s	ATA
PIO Mode 1	383 ns	5.22 MB/s	ATA
PIO Mode 2 (TDK Solution)	240 ns	8.33 MB/s	ATA
PIO Mode 3	180 ns	11.1 MB/s	ATA-2
PIO Mode 4	120 ns	16.7 MB/s	ATA-3
DMA, Single Word, Mode 0	960 ns	2.11 MB/s	ATA
DMA, Single Word, Mode 1	480 ns	4.22 MB/s	ATA
DMA, Single Word, Mode 2	240 ns	8.33 MB/s	ATA
DMA, Multiple Word, Mode 0	480 ns	4.17 MB/s	ATA
DMA, Multiple Word, Mode 1	150 ns	13.3 MB/s	ATA-2
Multiple Word, Mode 2 (Hi-Speed Solution)	120 ns	16.7 MB/s	ATA-3
Ultra DMA Mode 0	235 ns	16.7 MB/s	ATA-4
Ultra DMA Mode 1	160 ns	25 MB/s	ATA-4
Ultra DMA Mode 2 (KTC Solution)	120 ns	33.3 MB/s	ATA-4, Ultra ATA
Ultra DMA Mode 3	90 ns	44.4 MB/s	ATA-5
Ultra DMA Mode 4	60 ns	66.6 MB/s	ATA-5, Ultra ATA/66
Ultra DMA Mode 5	40 ns	100 MB/s	Ultra ATA/100

DOM 432 / 030 Flash Module Varianten

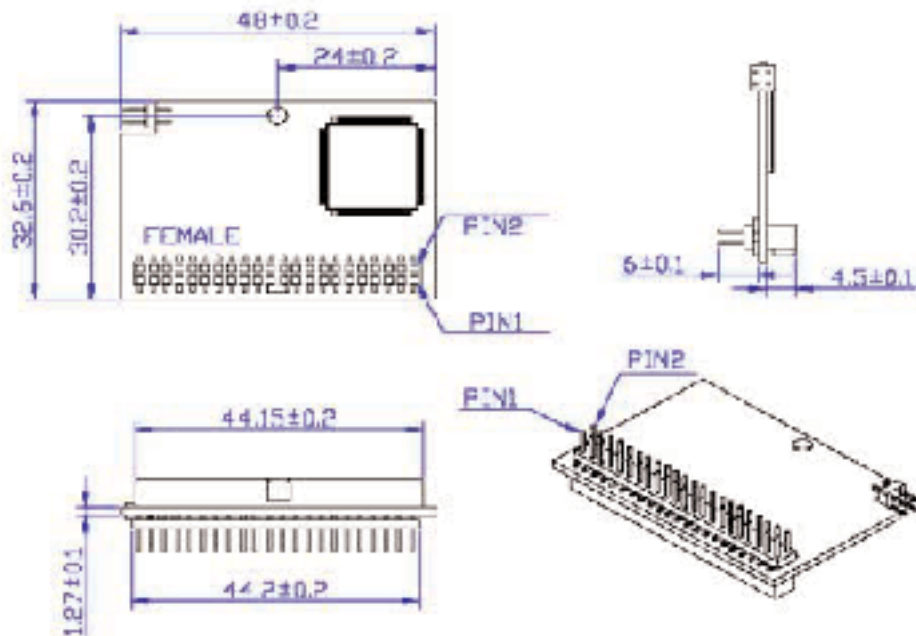
DH0xxxxx44NX5 (LMF)

44-pin



DH0xxxxx44NX6 (LFM)

44-pin

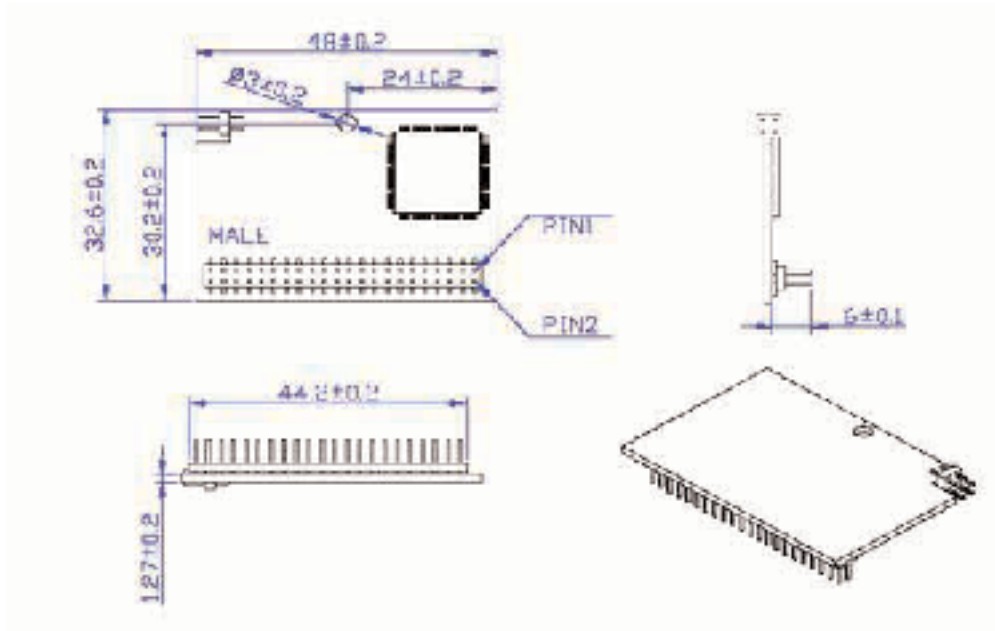


DOM 432 Flash Module Varianten

Die Endziffer ist für die Variante relevant (Gilt auch für DOM 030 und Wide Temperatur Module)

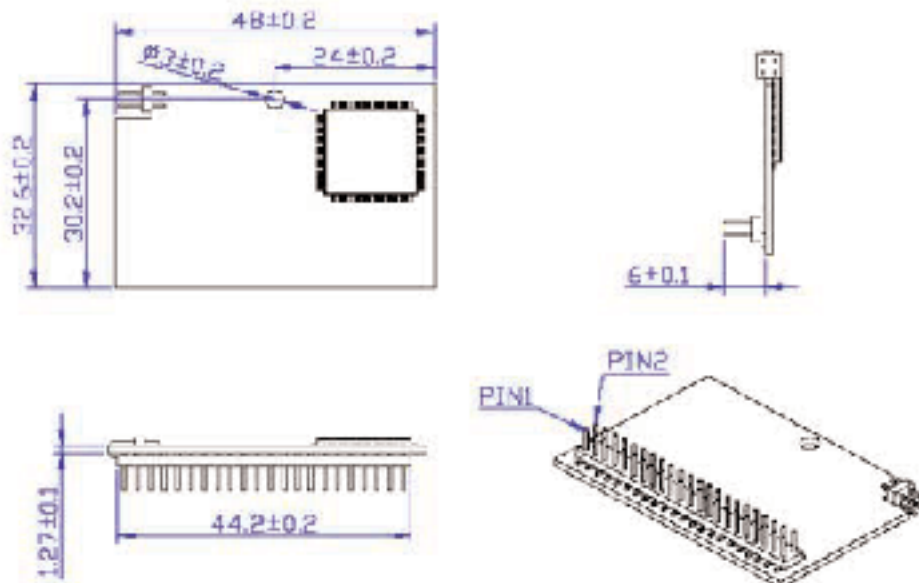
DH0xxxx44NX3 (LMD)

44-pin



DH0xxxx44NX4 (LDM)

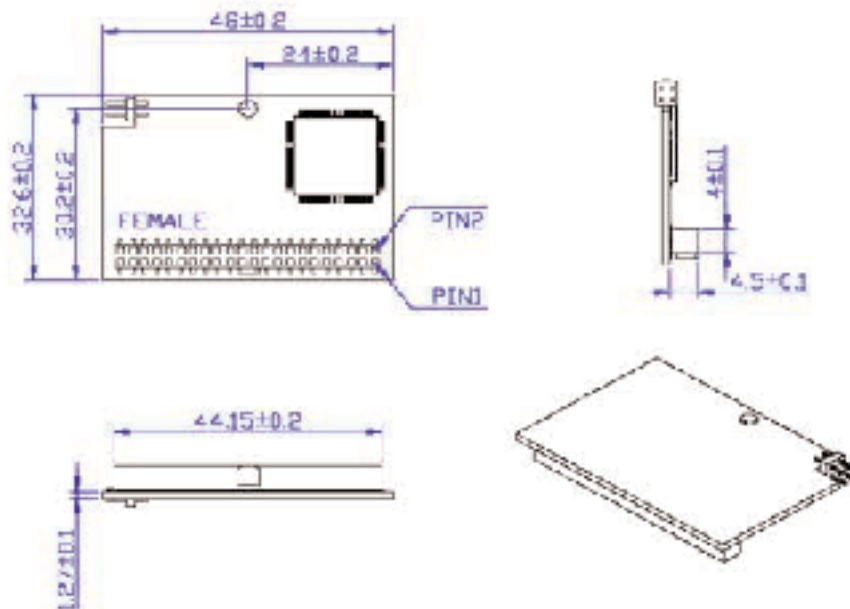
44-pin



DOM 432 / 030 Flash Module Varianten

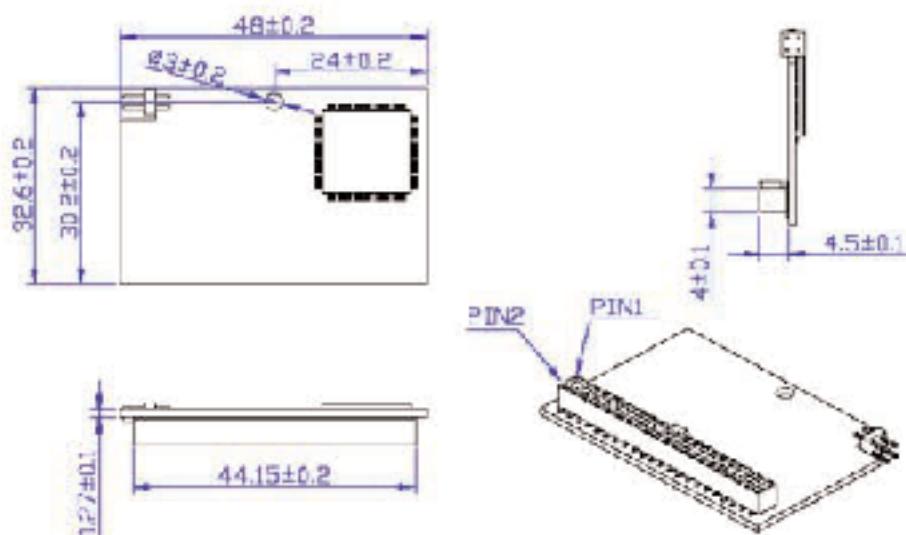
DH0xxxxx44NX1 (LFD)

44-pin



DH0xxxxx44NX2 (LDF)

44-pin





CoreSolid Storage

A TDK-PQI Storage Business



CoreSolid Storage Corporation is a joint venture between Power Quotient International Co., Ltd.(PQI) and TDK Corporation (TDK) in Taiwan to research, develop and market solid state disk . As long-term partners, TDK and PQI have always provided excellent and quality industrial solutions to customers around the globe. To further this relationship, TDK will utilize its strength of patented technologies and PQI will utilize its industrial storage research & development, channel and sales capabilities to expand SSDs from industrial to commercial use.

多利吉科技股份有限公司(CoreSolid Storage Corporation)是由全球電子零組件及儲存媒體領導者-日本「TDK」與全球記憶體模組大廠-台灣「PQI」兩家公司共同合作在台灣所成立的儲存媒體公司。目前除勁永國際固態碟模組「DiskOnModule」之研發及銷售業務外，同時也擁有TDK在技術及專利上雄厚實力的支持，未來多利吉科技將規劃跨入商業電腦之應用領域及SSD (Solid State Disk)之應用與發展。

CoreSolid Storage Corporation は世界屈指の電子部品とストレージのリーダーである TDK Corporation (TDK) と世界有数のフラッシュメモリーメーカーである Power Quotient International Co., Ltd. (PQI) により台湾にて設立されたストレージメーカーです。目下 PQI の SSD (Solid State Disk) である DOM (DiskOnModule) の開発・販売業務を展開。同時にTDKの幅広い技術と特許をもって、工業用PCの応用領域およびSSDへの応用・発展を目指しております。

Spectra Computersysteme GmbH

Humboldtstraße 36
D-70771 Leinfelden-Echterdingen

Telefon +49 (0) 7 11 - 9 02 97 - 0
Telefax +49 (0) 7 11 - 9 02 97 - 90
E-Mail spectra@spectra.de
Internet www.spectra.de

Niederlassung West:

Telefon +49 (0) 21 04 - 94 83 07
Telefax +49 (0) 21 04 - 94 83 08

Spectra (Schweiz) AG

Gewerbestraße 12a
CH-8132 Egg/ZH

Telefon +41 (0) 43 - 277 10 50
Telefax +41 (0) 43 - 277 10 51
E-Mail info@spectra.ch
Internet www.spectra.ch

Spectra Automatisierungstechnik GmbH

Sipbachzell 146
A-4621 Sipbachzell (Wels)

Telefon +43 (0) 72 40 - 2 01 90
Telefax +43 (0) 72 40 - 2 01 90 60
E-Mail info@spectra-austria.at
Internet www.spectra-austria.at